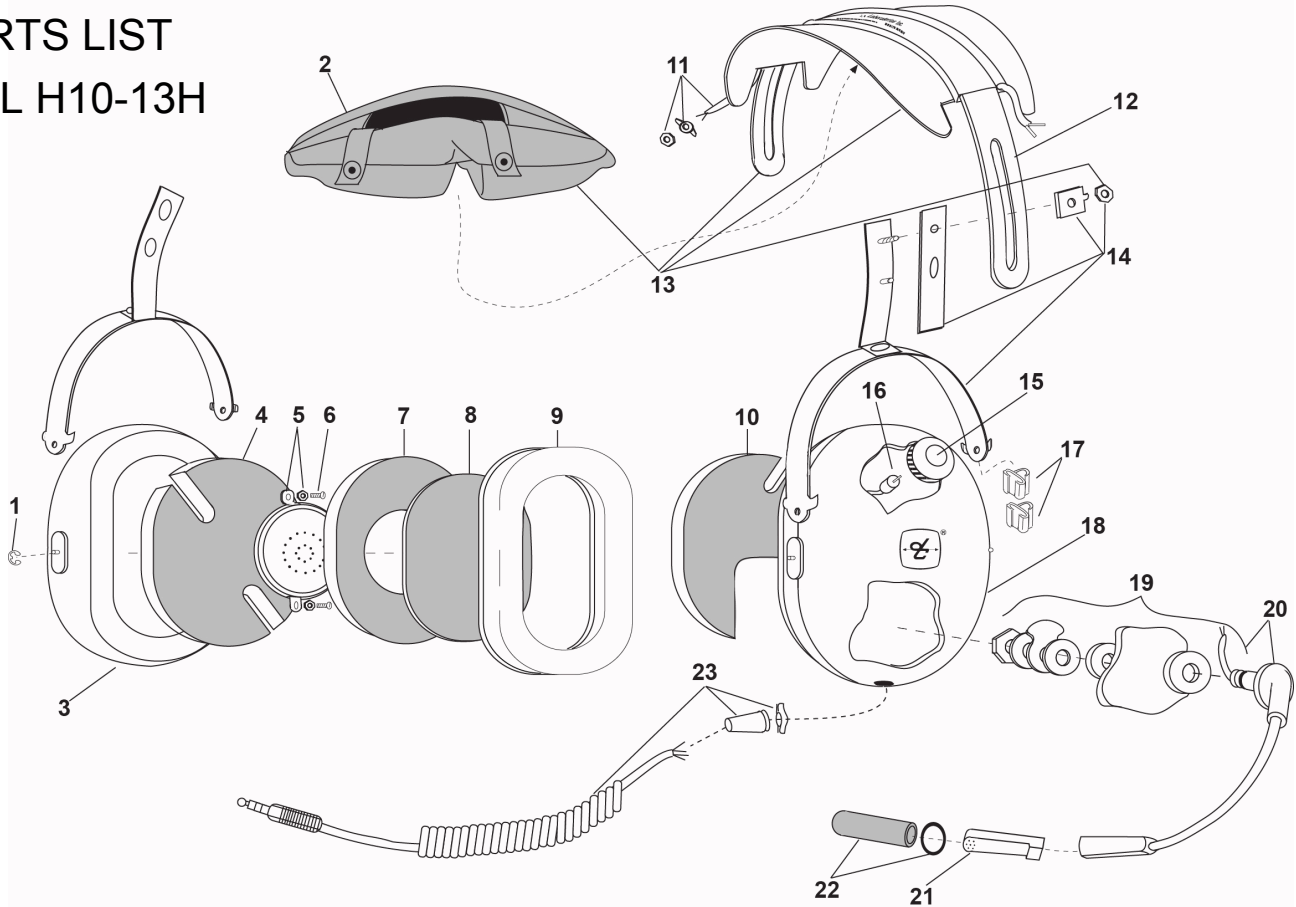


# PARTS LIST

## MODEL H10-13H



| No. | Description                 | Part No.  |
|-----|-----------------------------|-----------|
| 1   | Retaining Ring (10/pk)      | 00009M-03 |
| 2   | Headpad Restraint, Foam     | 40867G-01 |
| 3   | Right Dome                  | 15253P-04 |
| 4   | Dome Filter                 | 26475P-02 |
| 5   | Earphone Assembly           | 10376G-20 |
| 6   | Screw/Grommet Kit (4 pk)    | 18900G-47 |
| 7   | Filter                      | 25629P-03 |
| 8   | Filter                      | 14096P-09 |
| 9   | Undercut Gel Earseal (pair) | 40863G-02 |
| 10  | Filter                      | 26475P-08 |
| 11  | Overhead Cord Kit           | 22607G-01 |
| 12  | Headband Spring             | 15093P-01 |

| No. | Description               | Part No.  |
|-----|---------------------------|-----------|
| 13  | Headband/Headpad Kit      | 40688G-36 |
| 14  | Stirrup & Clamp Kit       | 22378G-12 |
| 15  | Volume Control Knob       | 15109P-01 |
| 16  | Volume Control            | 09349P-34 |
| 17  | Clip, Cord (4/pk)         | 15350P-02 |
| 18  | Left Dome                 | 15253P-03 |
| 19  | Boom Attachment Kit       | 12840G-19 |
| 20  | Kit, Boom Assembly w/Att. | 41090G-12 |
| 21  | M-7A Electret Mic         | 09168P-33 |
| 22  | Mic Protector             | 40062G-02 |
| 23  | Comm Cord Kit             | 18028G-05 |

ELECTRICAL SCHEMATIC  
MODEL H10-13H

